

- ① SLOPE TO MATCH SLOPE OF HEADER.
- ② SET THIS POINT AT TOE OF SLOPE.

**SECTION B-B**

NOTE (1): BETWEEN EDGE OF ASPHALT SHOULDER AND TOP OF CONCRETE SLOPE DRAIN, CONSTRUCT 4" CONCRETE BASE OVER AREA OUTLINED BY CURBING. COST TO BE INCLUDED IN PRICE BID FOR "CLASS C CONCRETE".

**PLAN OF GUARDRAIL WIDENING, CURBING, SLOPE DRAINS AND SPLASH BASINS**

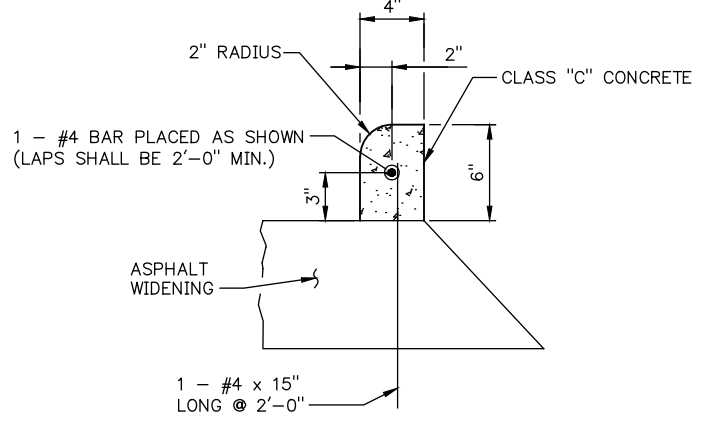
NOTE: SLOPE DRAINS, SPLASH BASINS AND CURBING TO BE LOCATED AS SHOWN ON THE PLAN AND AS DIRECTED BY THE ENGINEER.

NOTES: ASPHALT SHOULDER WIDENING SHALL BE IN ACCORDANCE WITH STANDARDS THRI-1 AND GHW1-1 EXCEPT AS SHOWN ON THIS SHEET. ALL COSTS OF ASPHALT SHOULDER WIDENING SHALL BE INCLUDED IN THE ROADWAY PAY ITEMS.

THE SLOPE DRAINS AND SPLASH BASINS SHALL BE CONSTRUCTED USING CLASS "C" CONCRETE AS SHOWN ON THIS SHEET. ALL COSTS OF THE SLOPE DRAINS AND SPLASH BASINS INCLUDING WIRE MESH, EXCAVATIONS AND BACKFILLING SHALL BE INCLUDED IN THE PRICE BID FOR "CLASS C CONCRETE".

THE 6" CONCRETE CURBS SHALL BE CONSTRUCTED AS SHOWN ON THIS SHEET IN ADDITION TO THE REQUIRED GUARDRAIL CURBING. ALL COSTS TO CONSTRUCT THE 6" CONCRETE CURBS INCLUDING CONCRETE AND REINFORCING STEEL SHALL BE INCLUDED IN THE PRICE BID FOR "CLASS C CONCRETE".

THE 15'-0" LONG CONCRETE CURBING SHOWN ON STD. THRI-1 SHALL BE INCLUDED IN THE PRICE BID FOR "GUARDRAIL BRIDGE CONN-THRIE BEAM (31")", AT ALL FOUR CORNERS OF THE BRIDGE.



**DETAIL OF 6" CONCRETE CURB**  
(SHOWN AT OUTSIDE EDGE OF WIDENED ASPHALT SHOULDER)

**DRAIN AT END OF BRIDGE DETAILS**  
BRIDGE "A" C.R.L. STA. 586+80.46